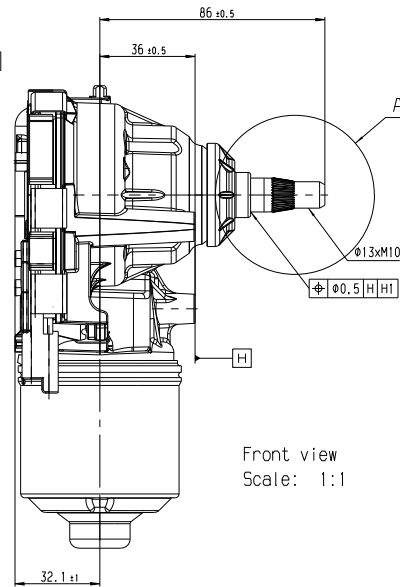
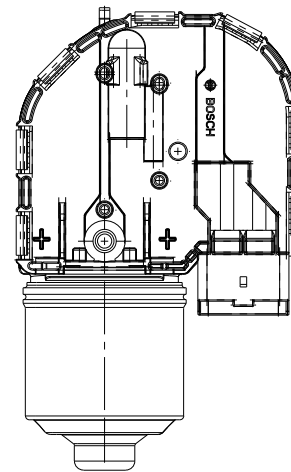


Right view
Scale: 1:1

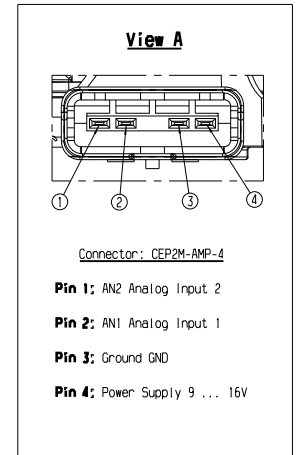
LABEL WITH PART NUMBER



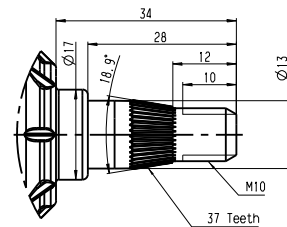
Front view
Scale: 1:1



Left view
Scale: 1:1



Detail A
Scale: 2:1



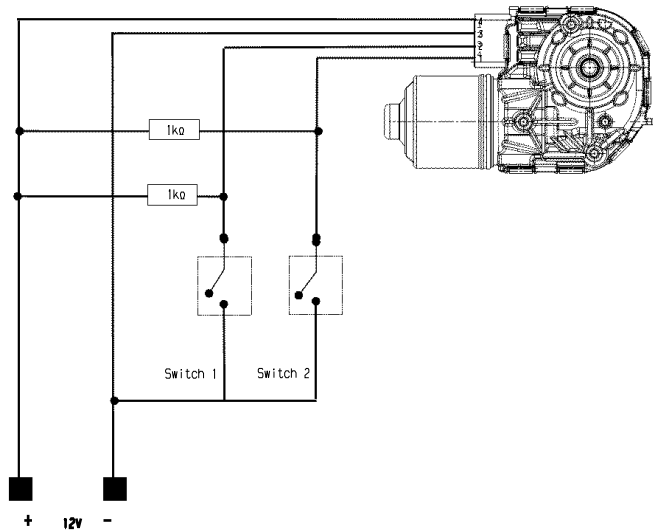
Shaft according to DIN 72783-A1

HANDLING OF THE MOTOR USING THE MOTOR SHAFT
NOT ALLOWED

Technical data

Operating Temperature: -40 ... 85°C
 Maximal Vibration: 13,9m/s² eff. DIN EN 60068-2-64
 Maximal Wiping Speed: depends on torque
 Maximal Wiping Angle: 160°
 Maximal Torque: 35 Nm
 Power Supply: 9 ... 16V

The application angle can be only modified by Bosch



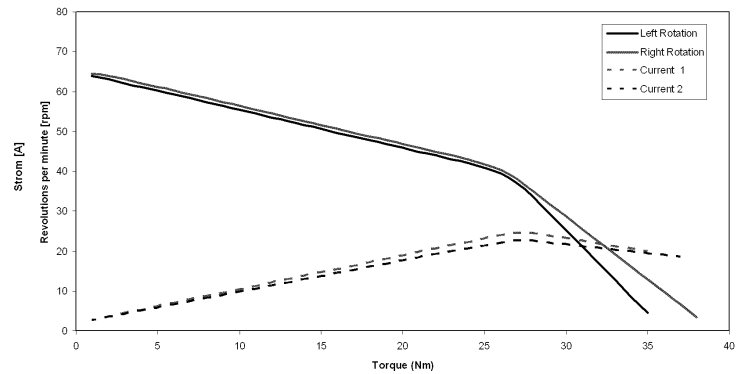
Operating modes referring analog inputs configuration

Operating Mode	AN1 (Pin 2)	AN2 (Pin 1)
Stop	Power Supply	Power Supply
Interval	Power Supply	GND
Speed 1	GND	GND
Speed 2	GND	Power Supply

Operating modes referring switch configuration

Operating Mode	Switch 1	Switch 2
Stop	opened	opened
Interval	opened	closed
Speed 1	closed	closed
Speed 2	closed	opened

Characteristic curve



Motor with electronics, measurement in rotating mode without resistance.

Delivery status

The motor will be delivered with three mounting screws.
 The screws are pre-assembled with a few thread turns.

- Self-tapping screw referred to DIN 7500
- PE M6x20
- Maximum tightening torque: 8Nm

04	Änderung	20120224	K1N		072	BZF (BEG/MS04)	Antriebswelle - 1mm
03	index	20110518	Z2F		072	BZF (BEG/MS04)	Antriebswelle - 1mm
02	Pflegelegung	20101203	Z2F		072	BZF (BEG/MS04)	
01	Erstellung	20101018	Z2F		072	BZF (BEG/MS04)	
Drawn: -- Checked: -- Entered: -- Desig: -- Eng: -- Prod: -- QA: -- Sizing: --							
Wiper Direct Actuator WDA Wischerdirektantrieb - WDA Part No.: 020 938 03 CAT: WDA				Sheet No.: 1/1 Format: A1			